

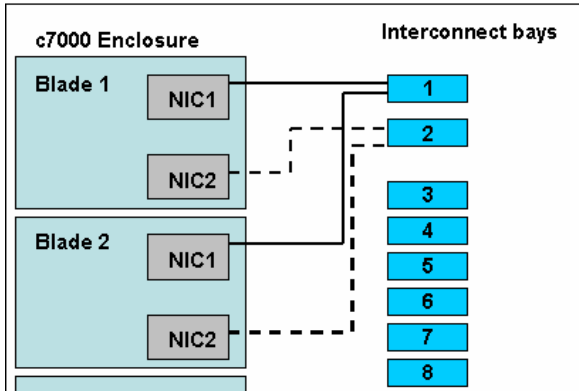
# Mini White Paper

Subject: Network Teaming for xw460c Blade Workstations in the c7000 enclosure



Introduction: The xw460c blade workstation has built-in dual Network Interface Controllers (NICs), which allow network 'teams' to be created to improve network reliability, performance, or both. The c7000 blade enclosure supports a number of different network connectivity options (switches or pass-through modules), but not all connectivity options support all the various types of network teams. See the "Network Teaming for Personal Workstation blades" mini white-paper for an overview of teaming modes.

Figure 1. c7000 Enclosure Network Interconnection



There are 8 interconnect bays in the c7000 enclosure. Bays 1 and 2 are connected to the on-board NICs; the other bays connect to the mezzanine slots in the blade. Since no Ethernet networking cards are currently supported (as of Sep. 2007) in the xw460c blade, the mezzanine card interconnect information is not depicted here. The c7000 enclosure can hold up to 16 xw460c blade workstations. Note that NIC1 from all 16 blades will connect to bay1, NIC2 from all 16 blades connects to bay 2.

Interconnect modules supported in the c7000 enclosure

There are a number of modules supported with the xw460c blade that plug into the interconnect bays of the c7000 enclosure:

Part number	Description
438031-B21	HP 1:10 Gb Ethernet BL-c Switch
410916-B21	Cisco Catalyst 3020 Blade Switch for HP c-Class BladeSystem
410917-B21	HP GbE2c Ethernet Blade Switch for c-Class BladeSystem
438030-B21	HP GbE2c Layer2/3 Ethernet Blade Switch for c-Class BladeSystem
399593-B22	HP 1/10Gb Virtual Connect Ethernet Module for c-Class BladeSystem
406740-B21	HP 1Gb Ethernet Pass-Thru Module for c-Class BladeSystem

## Recommended Team types

For all of the switches above (excluding the Pass-Thru module), the recommended types of teaming are

- Smart Load Balancing™ and Failover
- SLB (Auto-Fallback Disable)

These team types provide redundant connections and load balancing of outbound network traffic.

For 802.3ad types of teams to work effectively, the NICs need to be connected to the same switch. In a c7000 enclosure, the only way to connect the NICs to the same switch is to use Pass-Thru modules as illustrated in the image to the right.

